

PASCAL[®] HOOP CUTTER

MODEL **GRA**

Scrap Chopper



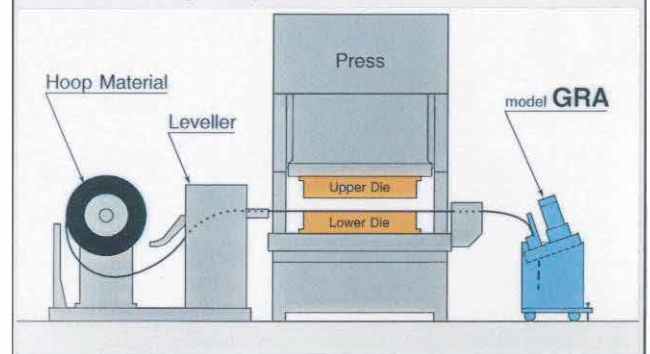
Every press line is required for quicker set-up, specially scrap chopping is a big headache. Vector Hoop Cutter makes scrap chopping very easy by placing it by the press. It doesn't require to synchronize with feeder nor clearance adjustment for different thickness.

The conventional scrap chopping requires synchronization with feeding mechanism of press machine which makes set-up more complicated. In case of cutting scrap with die edge, die balance is deteriorated and stamping sharpness and die life get shortened.

Hoop Coil Dimensions

t 1.2/2.3/3.2 mm X w 100/200/300/400 mm
(0.047/0.091/0.126 in) (3.937/7.874/11.811/15.748 in)

Installation by the press



For Scrap Chopping of Hoop Left Overs

● Outstanding cutting edge

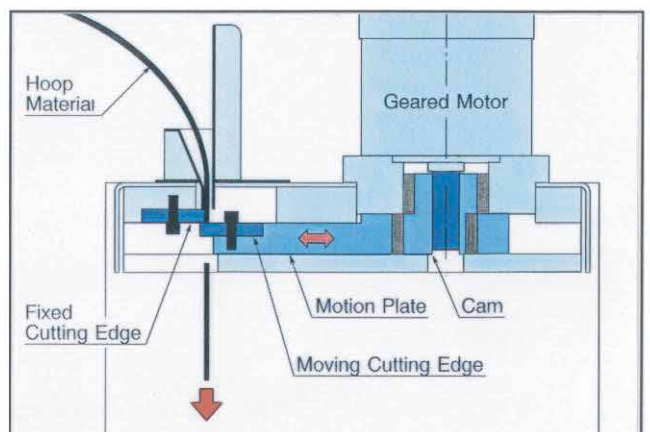
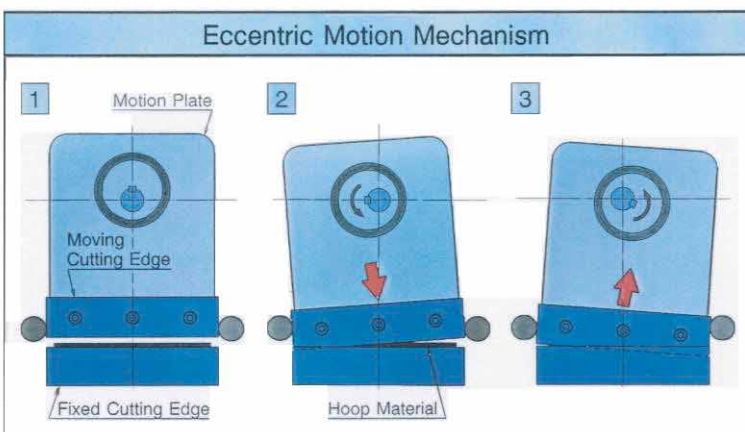
Highly powered motor with eccentric motion ensures a dynamic and smooth cut every time.

● Maintenance free

Reversing the cutting edge of blade and greasing is very simple. Each blade is equipped with two cutting edges to ensure a sharp cutting edge.

● Wide opening for large bucket

Foot opening can be changed according to your required bucket size.



PASCAL® HOOP CUTTER

MODEL GRA

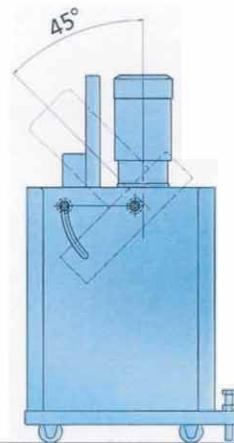
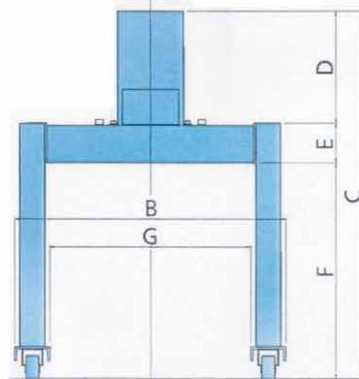
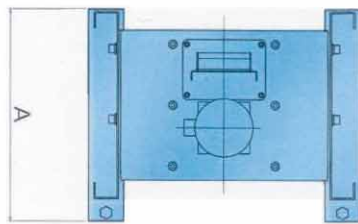
MODEL & SPECIFICATIONS

Model	Hoop Coil Dimensions (SPC) ※ 1		Rotating Speed	Motor (AC 200 V)
	Max. Thickness ※ 2	Max. Width		
GRA 12 - 100	1.2 mm (0.047 in)	100 mm (3.937 in)	100 / 120 rpm	0.4 kW
GRA 12 - 200	1.2 mm (0.047 in)	200 mm (7.874 in)	100 / 120 rpm	0.75 kW
GRA 23 - 100	2.3 mm (0.091 in)	100 mm (3.937 in)	100 / 120 rpm	1.5 kW
GRA 23 - 200	2.3 mm (0.091 in)	200 mm (7.874 in)	100 / 120 rpm	1.5 kW
GRA 23 - 300	2.3 mm (0.091 in)	300 mm (11.811 in)	100 / 120 rpm	2.2 kW
GRA 23 - 400	2.3 mm (0.091 in)	400 mm (15.748 in)	100 / 120 rpm	2.2 kW
GRA 32 - 300	3.2 mm (0.126 in)	300 mm (11.811 in)	71 / 86 rpm	3.7 kW
GRA 32 - 400	3.2 mm (0.126 in)	400 mm (15.748 in)	71 / 86 rpm	3.7 kW

※ 1 : Ask factory if hoop material size is not within specifications.

※ 2 : Ask factory if hoop material thickness is under 0.8 mm (0.031 in). In case of SUS, max. thickness is 0.7 times of specifications.

OUTER DIMENSIONS



Note : Dimensions F and G can be changed according to your required bucket size. (Option)

Unit : mm (in)

Model	A	B	C	D	E	F	G	H	Weight
GRA 12 - 100	460 (18.110)	590 (23.228)	840 (33.071)	240 (9.449)	85 (3.346)	515 (20.276)	420 (16.535)	390 (15.354)	80 kg (176 lb)
GRA 23 - 200	530 (20.866)	775 (30.512)	1155 (45.472)	355 (13.976)	100 (3.937)	700 (27.559)	575 (22.638)	530 (20.866)	160 kg (353 lb)
GRA 32 - 300	700 (27.559)	915 (36.024)	1313 (51.693)	463 (18.228)	110 (4.331)	740 (29.134)	675 (26.575)	530 (20.866)	310 kg (683 lb)
GRA 32 - 400	700 (27.559)	915 (36.024)	1313 (51.693)	463 (18.228)	110 (4.331)	740 (29.134)	675 (26.575)	530 (20.866)	310 kg (683 lb)

Specification are subject to change without notice.

Pascal engineering Inc.

Pamphlet OT-005A REV.2 2003.05

1810 Jarvis Ave. Elk Grove Village, IL 60007
TEL. (847)427-1234 FAX. (847)427-1222

Manufactured by

PASCAL CORPORATION
www.pascaleng.co.jp