

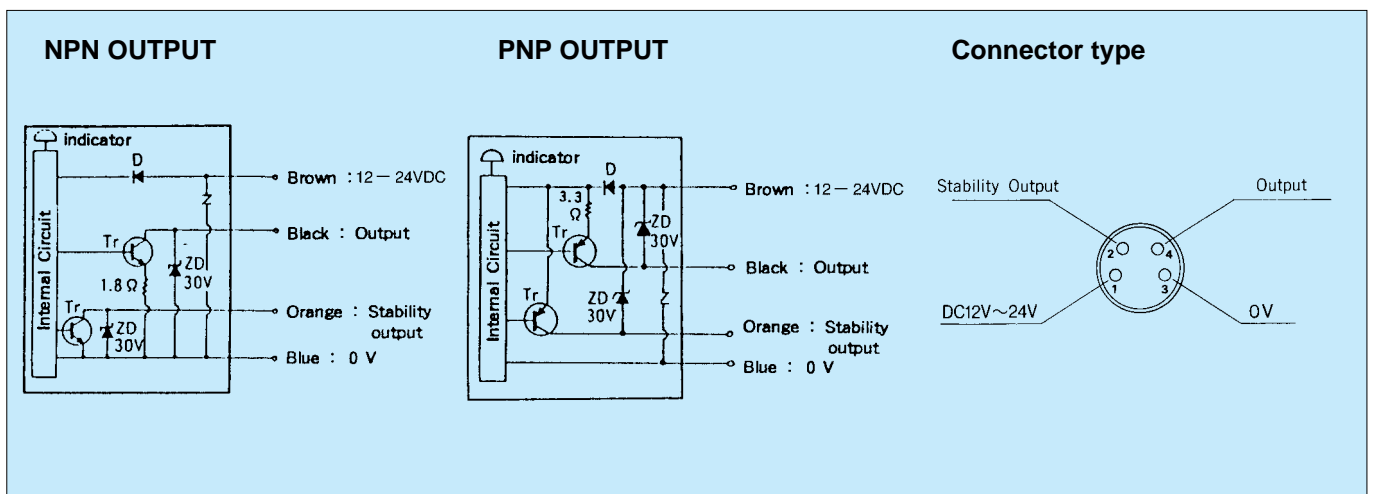
Middle G series

DC POWER SUPPLY
PHOTO SENSORS

- Washable ... IP67
- Mirrored objects (mirrors, shiny objects) can be detected (Polarised light reflector type)
 - The operation mode is changed by switch.
 - Sensitivity adjustment allows fine detection.
 - The product has the stability output. This is useful for globally used PNP type.
 - Robust protection cover (mounting bracket) is available (option)



OUTPUT CIRCUIT



SPECIFICATIONS

		NPN-OUTPUT			PNP-OUTPUT		
Models	Side-on	GT5RSN 1	GMR2RSN	GSR05RSN	GT5RSPNN 3	GMR2RSPNN	GSR05RSPNN
	Basic	GT5RN 2	GMR2RN	GSR05RN	GT5RPNN 4	GMR2RPNN	GSR05RPNN
Detection		Through beam	Polarized Retro-reflection	Diffuse reflection	Through beam	Polarized Retro-reflection	Diffuse reflection
Range(Max.)		7m	0.03 ~ 1.5m 5	50cm	7m	0.03 ~ 1.5m 5	50cm
Object resolution		20mm(Min.) Opaque object	-	10 × 10cm White paper	20mm(Min.) Opaque object	-	10 × 10cm White paper
Light source		Red LED(700nm)					
Power supply		12 - 24V DC ± 10%, Ripple 10%(Max.)					
Current consumption(Max.)		Trns. : 20mA Rcvr. : 20mA	30mA		Trns. : 20mA Rcvr. : 25mA	35mA	
Operating mode		Light/Dark-ON selectable					
Output mode	Control	NPN Open collector Rating : Sink current 100mA(DC30V)Max.			PNP Open collector Rating : Source current 100mA(DC30V)Max.		
	Stability	NPN Open collector Rating : Sink current 50mA(DC30V)Max.			PNP Open collector Rating : Source current 50mA(DC30V)Max.		
Residual Voltage		1V(Max.)			2V(Max.)		
Response time		0.5 msec(Max)					
Beam deviation		10 (Rcvr)	30 (Reflector)	-	10 (Rcvr)	30 (Reflector)	-
Hysteresis		-		10%(Max.)	-		10%(Max.)
LED Indicator		Trns. :Power(Red) Rcvr. :Operation(Red) StabilityGreen)	Operation(Red) Stability(Green)		Trns. :Power(Red) Rcvr. :Operation(Red) StabilityGreen)	Operation(Red) Stability(Green)	
Sensitivity adjustment(SENS)		Built-in potentiometer					
Connection		Flying lead(4) 2m					
Weight(Max.)		Trns. : 80g Rcvr. : 80g	80g		Trns. : 80g Rcvr. : 80g	80g	
Others		Reflector K-71		Reflector K-71		Reflector K-71	
		Driver for sensitivity VR		Driver for sensitivity VR		Driver for sensitivity VR	
		1	2	3	4	5	
		Trns. : GTL5RSN	Trns. : GTL5RN	Trns. : GTL5RSN	Trns. : GTL5RN	K-7(Option)	
		Rcvr. : GTR5RSN	Rcvr. : GTR5RN	Rcvr. : GTR5RSPN	Rcvr. : GTR5RPN	: 0.03 ~ 2.5m	
		All models have brackets for installation.					

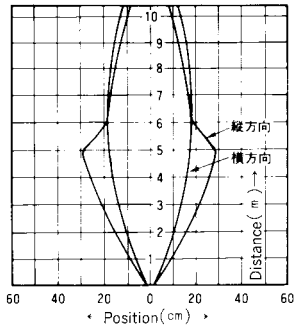
Connector type : - J

ENVIRONMENT

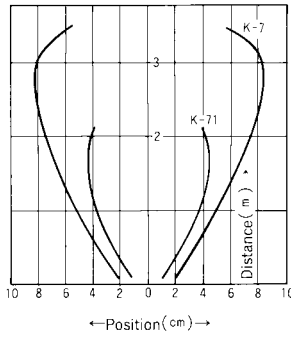
Ambient light	Withstands 5,000 lx(Max)
Operating temp.	- 25 ~ + 55
Humidity	35 ~ 85% RH
Case protection	IP67
Vibration	10 ~ 50Hz, 1.5mm Amplitude 2Hr., 3 Directions
Dielectric withstanding	AC1000V 1 min.
Insulation resistance	DC500V, 20M (Min)
Shock	500m/S ² (50G) 3 times, 3 directions

ACTIVE BEAM WIDTH

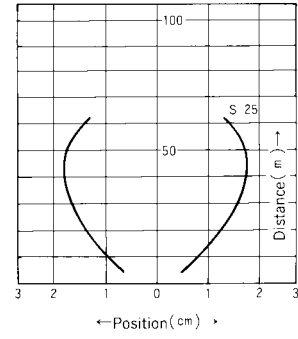
GT5RSN · GT5RN



GMR2RSN (K-7)
GMR2RN (K-71)

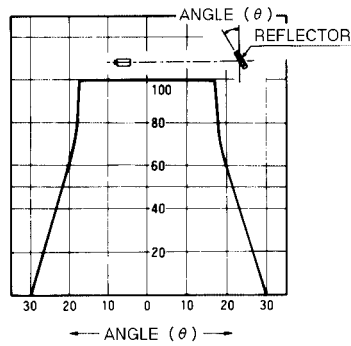


GMR2RSN (S-25)
GMR2RN

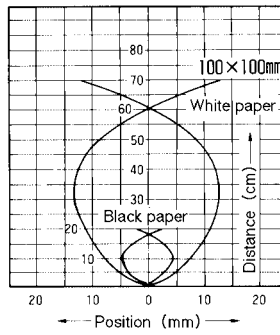


OPERATING ANGLE

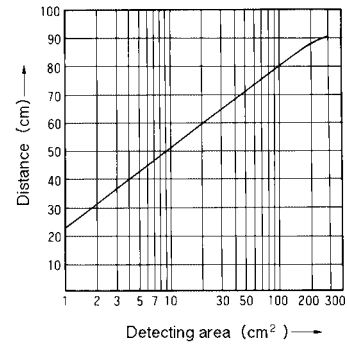
GMR2RSN · GMR2RN



GSR05RSN · GSR05RN

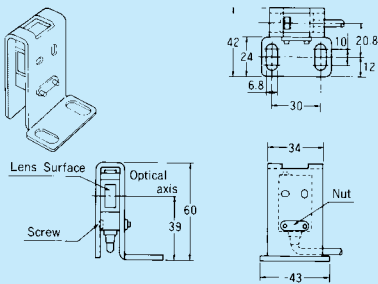


GSR05RSN · GSR05RN

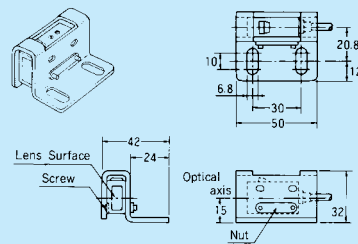


DIMENSIONS (OPTION)

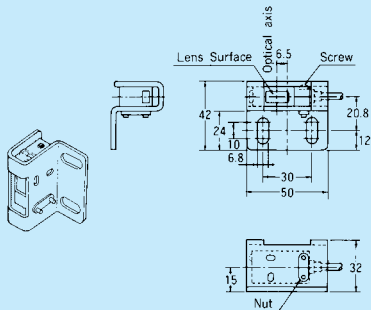
G-MSB1



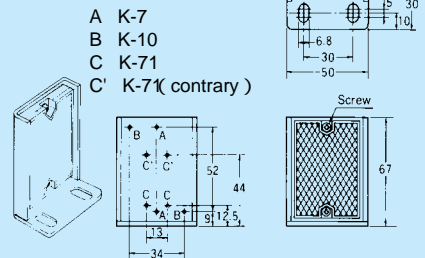
G-MTB2



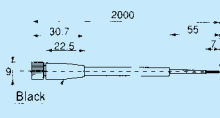
G-MTB1



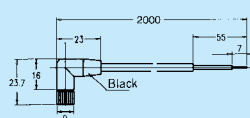
G-K7B (for reflector)



FBC-4R2S



FBC-4R2L



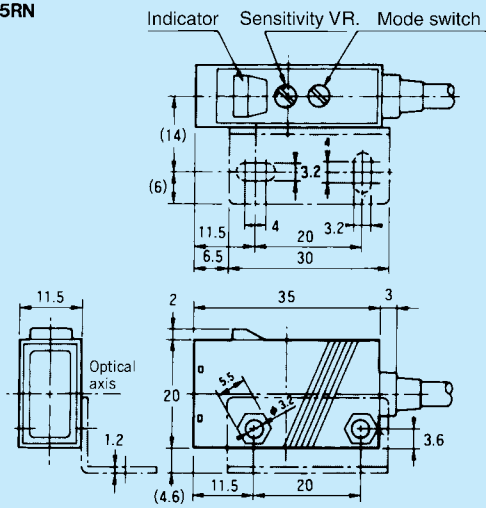
OPTION

Type	Models
Reflector	K-7
Protection cover	G-MSB1 G-MTB1 G-MTB2 G-K7B
Receptacle cable	FBC-4R2S FBC-4R2L

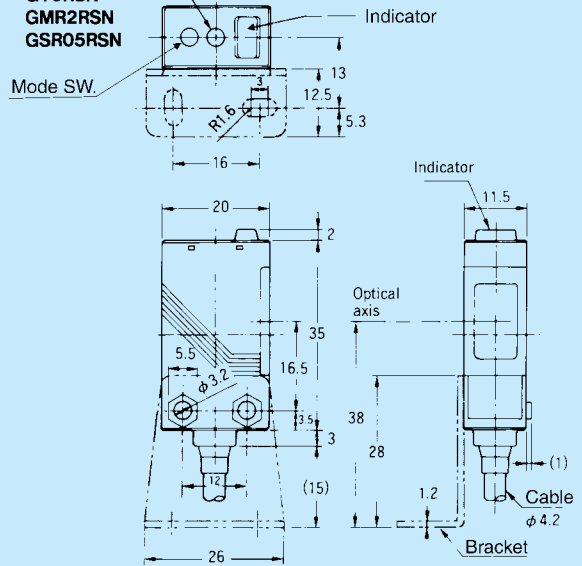
DIMENSIONS

GT5RN
GMR2RN
GSR05RN

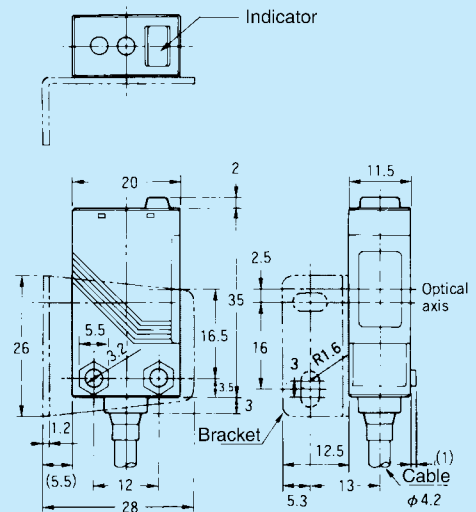
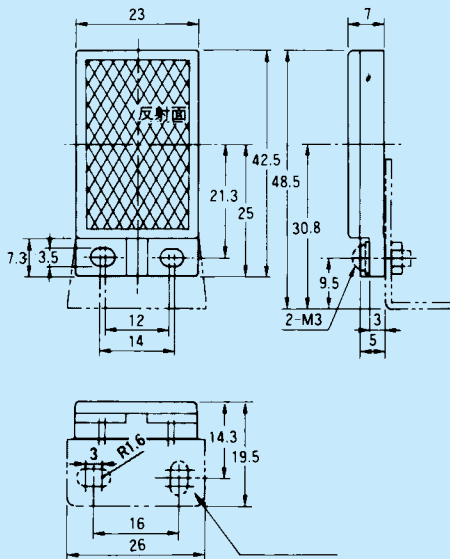
Head view



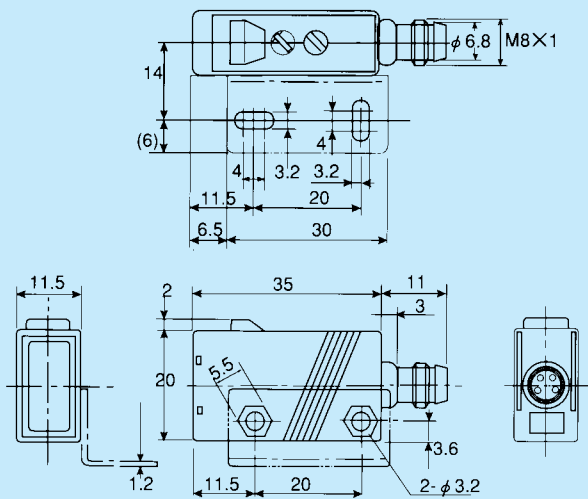
Sensitivity VR. Side view
GT5RSN
GMR2RSN
GSR05RSN



K-71 Reflector



"-J" Head view type



"J" Side view type

