

F70A series

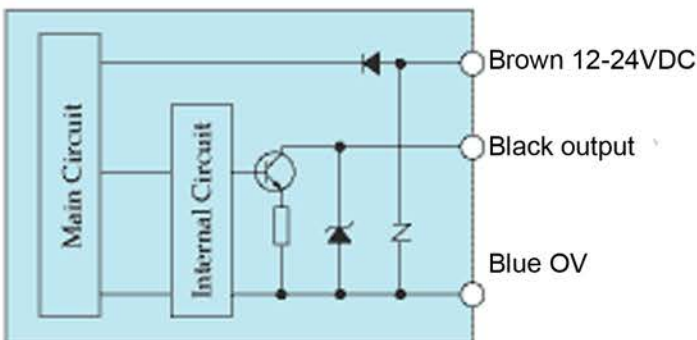
Fiber Optic Sensors

- The digital presentation of sensing information
- Function setting by an easy operation
- The stability level is displayed directly in a receiving optical level and the displacement display
- Display which sees easily in backlight addition LCD
- It equips it with an easy-to-use function

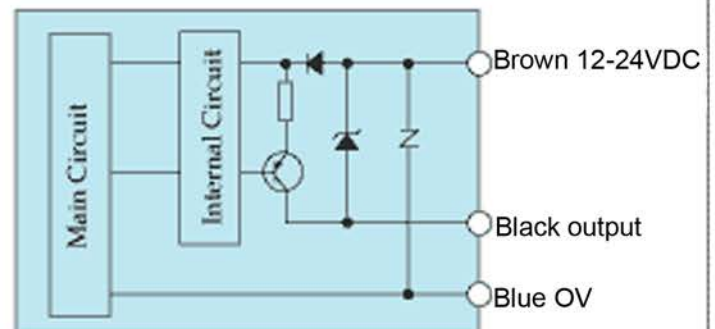


Output Circuit

- F70AR
- F70AG
- F70AB
- F70ARK
- F70AGK
- F70ABK



- F70ARPN
- F70AGPN
- F70ANPN
- F70ARKPN
- F70AGKN
- F70ABKPN



SPECIFICATIONS

Models	NPN	F70AR(K)	70AG(K)	F70AB(K)
	PNP	F70AR(K)PN	F70AG(K)PN	F70AB(K)PN
Detection	Through beam/Reflective(by fiber unit)			
Range	Depending on fiber unit			
Power supply	12 to 24VDC±10%, Ripple 10% Max.			
Current consumption	NPN type: 39mA, PNP type: 50mA			
Output mode	NPN	Open collector output, Rating : Sink current 100mA Max.		
	PNP	Open collector output, Rating : Source current 100mA Max.		
Operating mode	Light-on/Dark-on selectable			
Time delay	OFF delay 40ms fixed			
Response time	Frequency 1: 600μs(Max.) Frequency 2: 700μs(Max.)			
Light source	Red LED(680nm)		Green LED(565nm)	Blue LED(470nm)
Indicators	Operating: Orange LED, Stability: Green LED			
Display	LCD with back light			
Teaching system	Full auto teaching/Auto teaching			
Interference protection	Built-in			
Circuit protection	Short circuit protection built-in			
Materials	Polycarbonate			
Wiring	Flying lead 2m (*1) K-series: Exclusive connector			

*1 : M8 connector type is available. (-J)

DIMENSIONS

