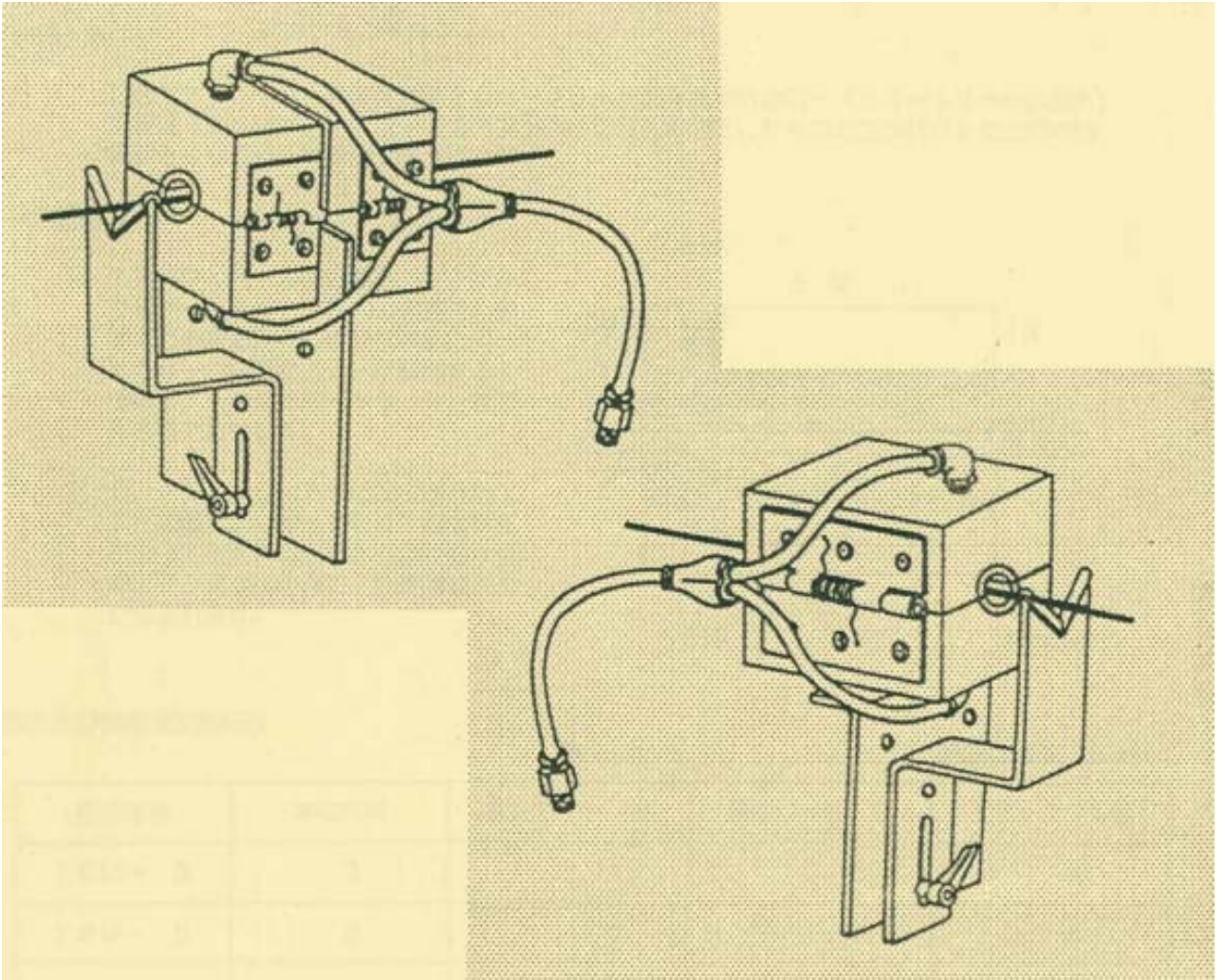


Efficient Air Wiper



- ⑩ Air Wiper Model (TBM)..... P1~ 2
- ⑩ Air Wiper Multi Lines Model P3
- ⑩ Air Wiper Compact Model P3

T.J. SOLUTION CO., LTD.
www.tjsolution.com/

✕Air Wiper Model (TBM)

- ★Features
- Two stage pressured air orifices
 - Easy to threading
 - Easy pass web by spring hinge
 - Both wire direction use

★Structure

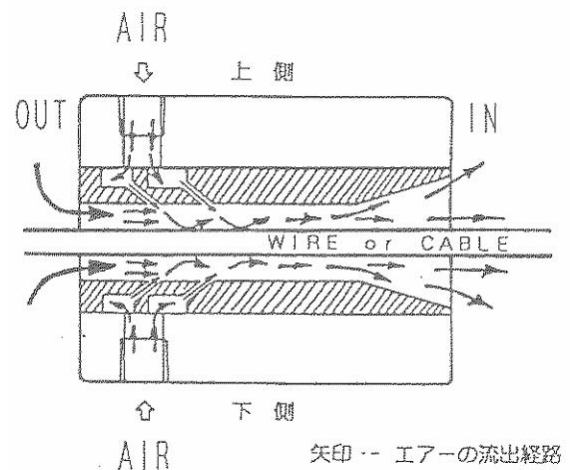
The TBM air wiper are designed for compact and efficient air wipe up to 400 M/min line speed.



★Applications

1 Air orifices are designed to be effective for surface air of cable or wire

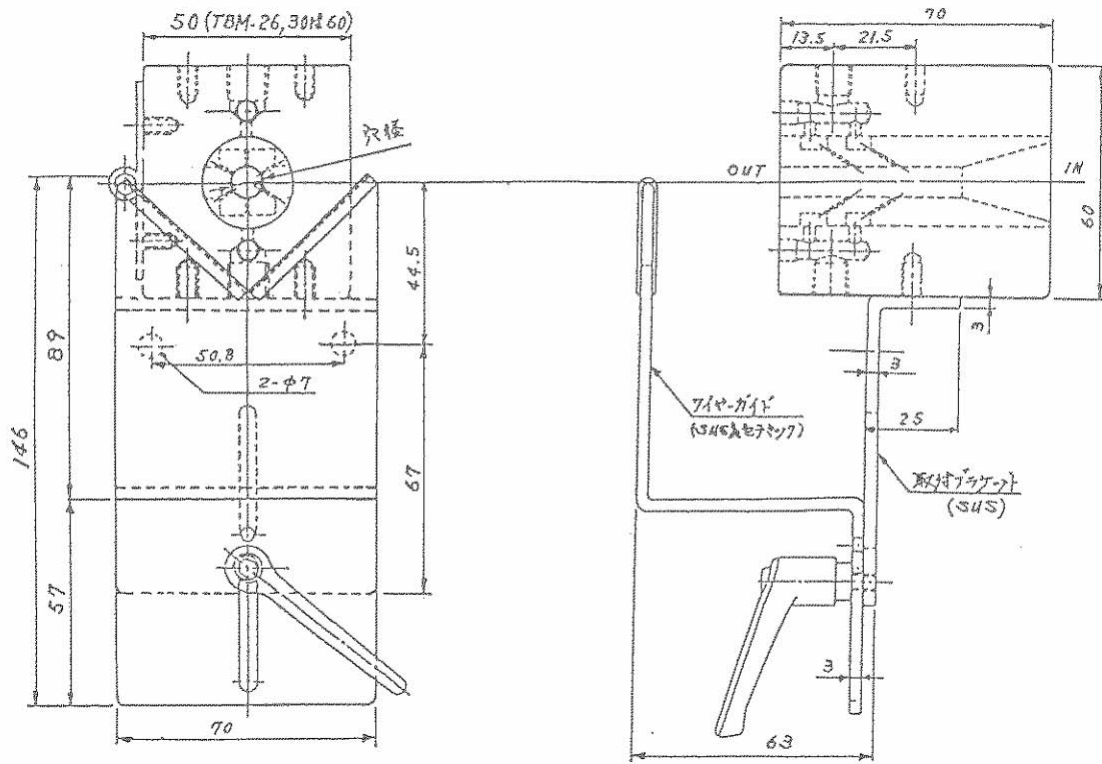
2. Pressured air about 0.2-0.5Mpa are applied and make effective surface air in the air wiper



unit : mm Air Nozzle Hole Diameter : $\phi 0.8\text{mm}$

Parts Number	Hole Diameter	Max Wire Size	Min Wire Size	Air nozzle Number
TBM3	3	2.1	0.5	8
TBM6	6	4.2	1.5	8
TBM8	8	5.6	2.0	12
TBM-10	10	7.0	3.0	12
TBM-13	13	10.4	4.8	12
TBM-16	16	12.8	6.0	12
TBM-20	20	16.0	7.5	12
TBM-26	26	22.1	12.5	12
TBM-30	30	27.0	14.5	12
TBM-40	40	35.0	19.5	20
TBM-50	50	45.0	24.5	20

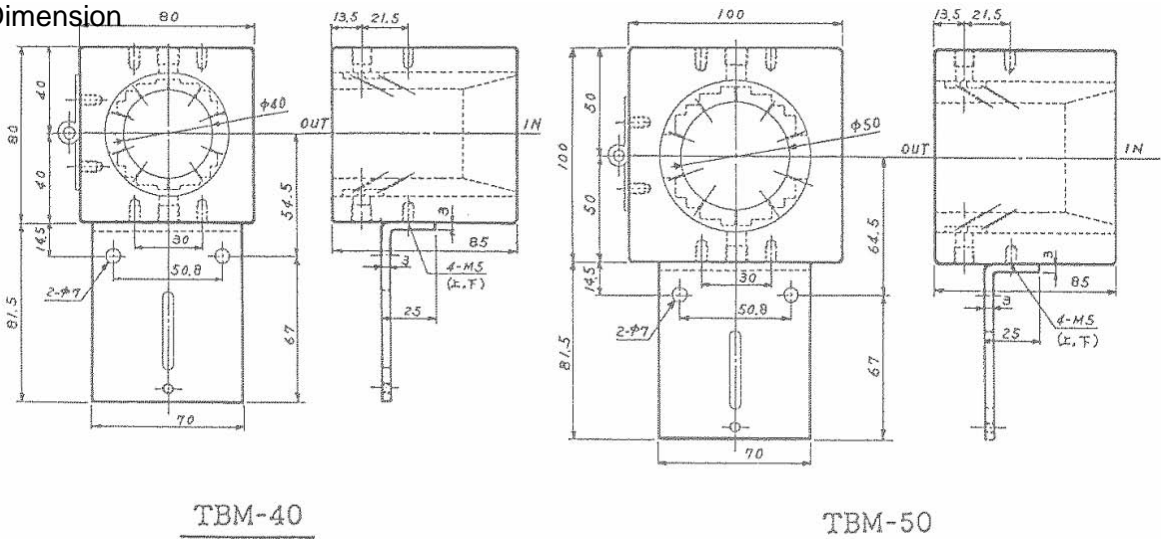
★Dimension



Parts Number	TBM-3	TBM-6	TBM-8	TBM-10	TBM-13	TBM-16	TBM-20	TBM-26	TBM-30	TBM-40	TBM-50
Hole Diameter	3	6	8	10	13	16	20	26	30	40	50
Air	8	8	12	12	12	12	12	12	12	20	20

★Material Body : PVC Bracket : Stainless Steel
Wire guide : Stainless Steel with Ceramic Guide

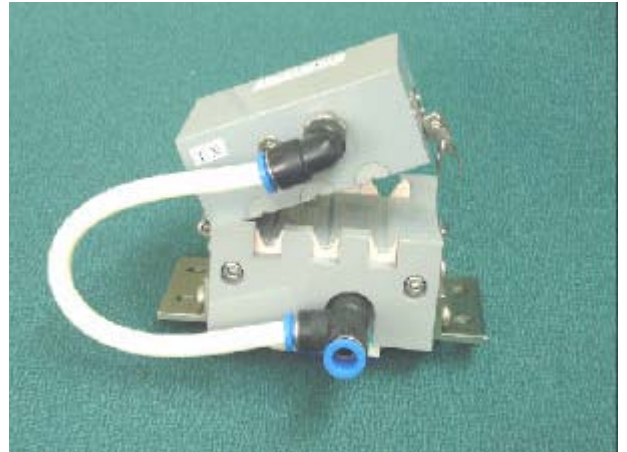
★Dimension



※Subject to change without notice

☒ Air Wiper Model (Multi Line Model)

The multi line model air wiper is designed for the multi wires line. The multi lines air wiper is able to custom design subject to number of wires and wire pitch.



★ Features

- Two stage pressured air orifices
- Easy to threading
- Cost saving
- Line speed 400M/min line speed.

★ Material

Body : PVC Bracket : Stainless Steel Wire guide : Ceramic
Guide in the both inlet and outlet sides

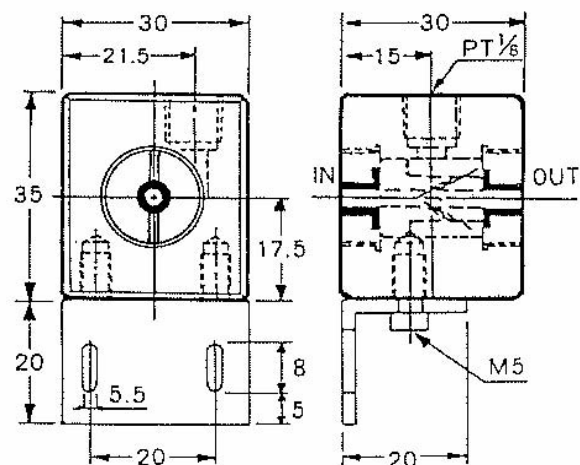
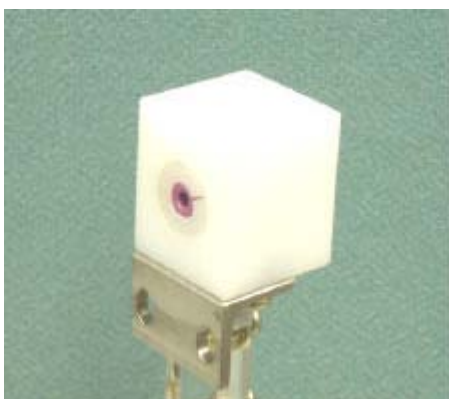
★ Dimension (this is an example 11 lines and 25mm wire pitch)

☒ Compact Air Wiper Model (TBW)

The compact model air wiper TBW is designed for the single wire line. The TBW Air Wiper is able to install small space. This model is also able to make custom design multi model.

★ Features

- One stage pressured air orifices
- Very small (one body – not open)
- Cost saving
- Line speed 300M/min line speed.



※ Subject to change without notice