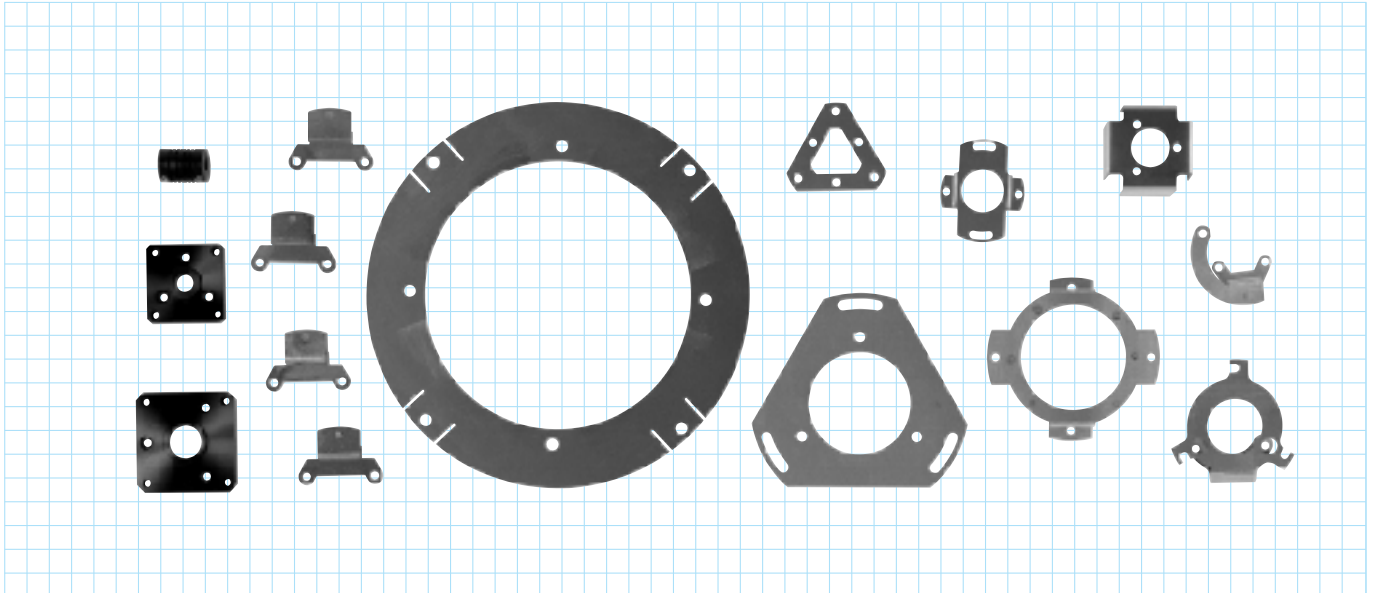
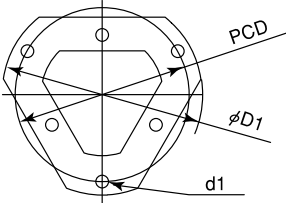
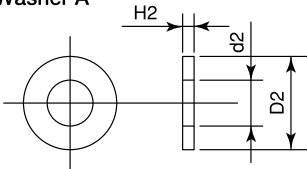
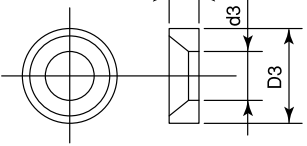
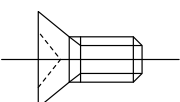


Setting Option/Coupling



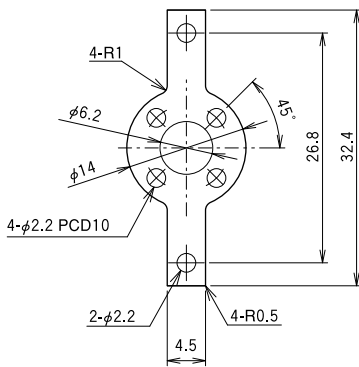
▼ Hole Type

List of dimensions and accessories

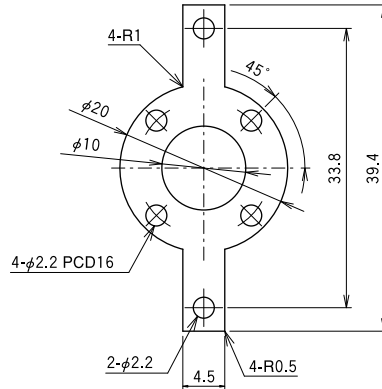
Type name (encoder series)	MEH-	20	30	50	60	85	130	180	MAH-42
Spring flange	PCD	40	52	79	90	116	135	210	64
	D1	48	60	90	98	128	165	—	76
	d1	3.5	3.5	4.5	4.5	4.5	5.2 (4 equal arrangement)	175	40
	HI (plate thickness)	0.1	0.1	0.1	0.2	0.2	0.5	0.5	0.1
Washer A	D2	7	7	14	14	14	—	—	14
	d2	3.5	3.5	5	5	5	—	—	5
	H2	1	1	1	1	1	—	—	1
Washer B	D3	7	7	14	14	14	—	—	14
	d3	3.5	3.5	4.5	4.5	4.5	—	—	4.5
	H3	2.3	2.3	2.5	2.5	2.5	—	—	2.5
Countersunk head screw		M3×6	M3×6	M4×8	M4×8	M4×8	—	—	M4×8
									

"*" indicates standard attachment.
Others are options.

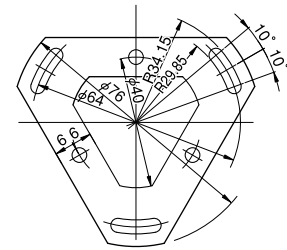
ME9P, MA10



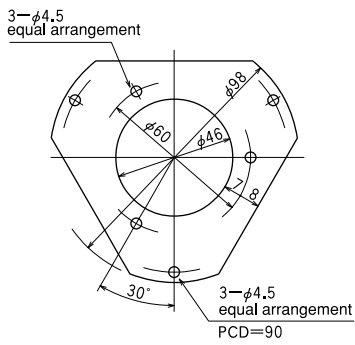
ME12P, MA17, MEH17



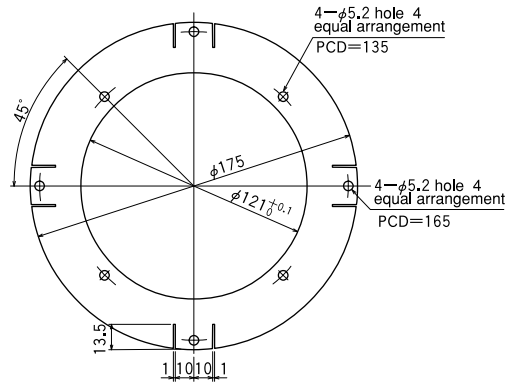
MAH-42



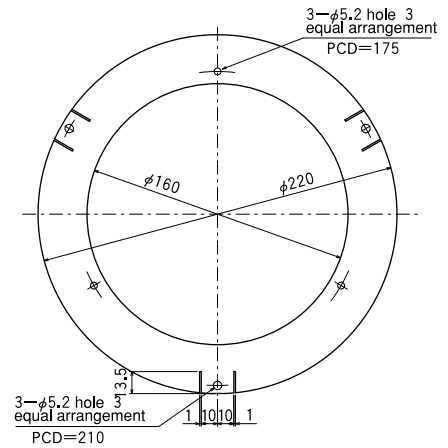
MEH-60



MEH-130

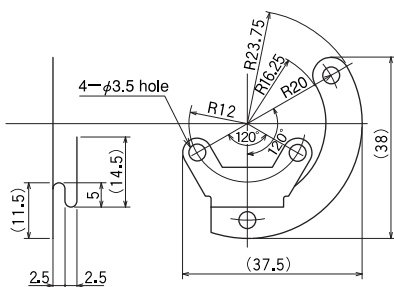


MEH-180

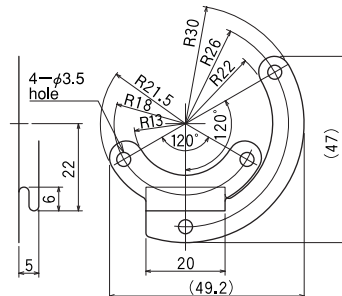


Special spring flange (this type is recommended when fluctuation in radial direction is large)

MEH-20SP (plate thickness 0.1t)



MEH-30SP (plate thickness 0.1t)



MEH-60SP2 (plate thickness 0.3t)

