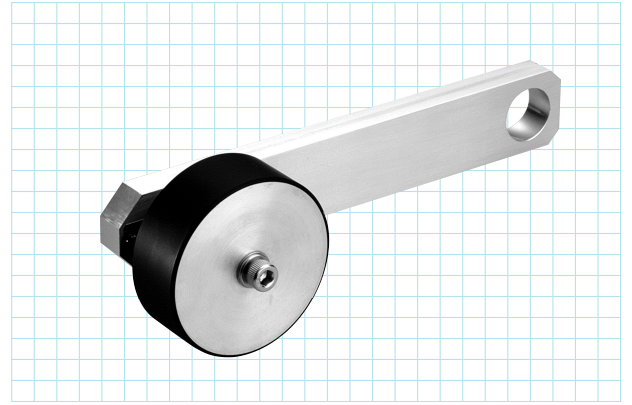
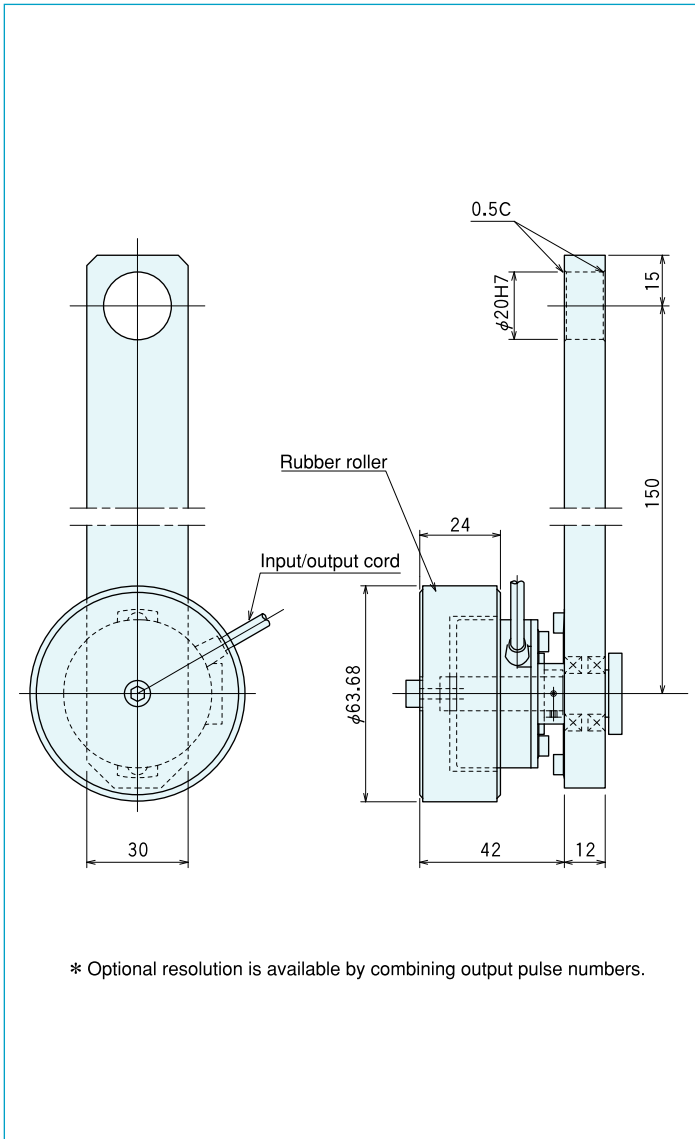


REH-30R series

[Roller Encoder]



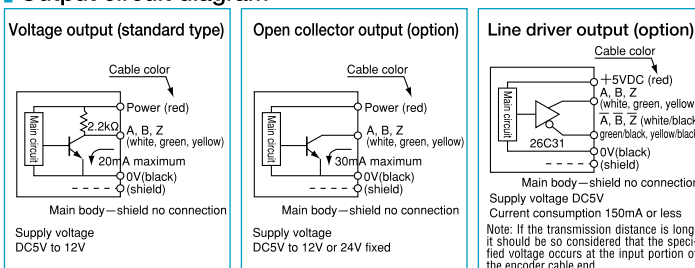
Outside dimensions



Specifications

Type name	REH-30- <input type="checkbox"/> R <input type="checkbox"/>				
Item	Pulse number Output circuit ● No entry=voltage output ● C=open collector output ● C4=open collector output DC24V ● E=line driver output				
Supply voltage	DC5~12V $\pm 10\%$ DC24V $\pm 10\%$ (open collector output only)				
Current consumption	60mA or less (under no load)				
Detection system	Incremental				
Output pulse number	200	400	500	1000	2000
Output pulse/1mm	1	2	2.5	5	10
Minimum resolution mm	1	0.5	0.4	0.2	0.1
Output phase	A, B, Z phase				
Output form	Square wave				
Output capacity	Sink current: 20mA Residual voltage: 0.5V or less (at 10mA)				
Maximum response frequency (response pulse number)	100kHz				
Output phase difference	A, B phase difference $90^\circ \pm 45^\circ$ (T/4 \pm T/8) Z phase T \pm T/2 (see Output Waveform)				
Waveform rise/fall time	2 μ s or less (output cable 1m or less)				
Starting torque	5 $\times 10^{-3}$ N·m (200gf·cm) or less				
Allowable load of shaft (electrical)	Radial	19.6N (2kgf)		14.7N (1.5kgf)	
	Thrust	9.8N (1kgf)		4.9N (0.5kgf)	
Maximum allowable revolutions (mechanical)	6000r/min				
Roller	Outside diameter: $\phi 63.68 \pm 0.01$ Material: aluminum roll hard urethane rubber baked				
Working ambient temperature/humidity	0°C~60°C RH35%~90% no dewing				
Storing ambient temperature	-20°C~80°C				
Vibration resistance	Durability 55Hz, double amplitude 1.5mm 2 hours each in X, Y, and Z directions				
Impact resistance	Durability 500m/s ² (about 50G) 3 times each in X, Y, and Z directions				
Cable	Outside diameter $\phi 4.2$ 5-core vinyl wire Insulated shield cable (length 1m)				
Mass	400g				

Output circuit diagram



A capacitor (0.1 μ F) is connected between 0V and FG (frame ground).

Output waveform

