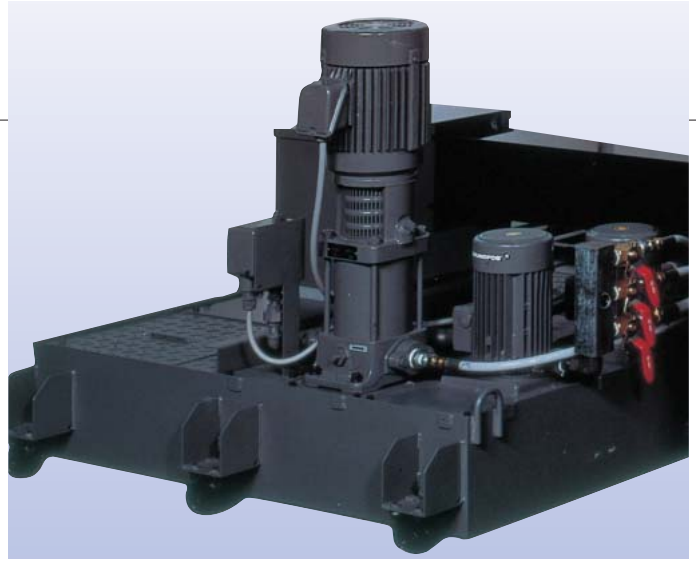


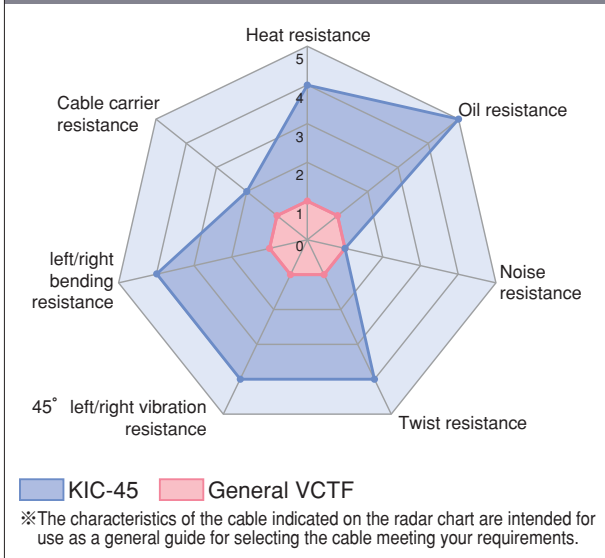
# KIC-45

Oil and heat resistant PVC multi-conductor cables

## UL AWM 2464



Characteristics Radar Chart



### Features

- Cables designed to UL, cUL standards and GOST-R
- Oil resistant, heat resistant, flexible, movable
- Fine conductor

### Application

- Internal/external cable connection to electrical equipment
- Cable connection under oil environment
- Mobile cable connection to machine tools and other similar equipment

### Certification/Marking



## Technical Data

	UL • cUL
Cable Type	AWM Style 2464
Voltage Rating	300V
Temperature Rating	80°C
Test Voltage	AC2000V • 1min
Flame Resistance	VW-1, FT1
Applicable Standard	UL 758, CAN/CSA-C22.2 No210.2

## Electrical Characteristics

Item	Conductor Size (AWG)	Number of Cores	Allowable Current (A)	
			2~4	5
Conductor Resistance (20°C) Ω/km or below	20	36.2	4	5
			9	8
Insulation Resistance (20°C) MΩ/km or above	20	10		

● Allowable Current (A) for the cable is based on calculation under aerial one-cable installation at ambient temperature of 30°C, not representing a guaranteed value.

Allowable current for the cable at ambient temperature above 30°C is to be determined by multiplying the current value by the appropriate current reduction factor specified in the following table for the ambient temperature.

● The Allowable current values are those calculated by JCS197, but not guaranteed.

JCS197... Japanese Electric Wire and Cable Makers' Association's Standard "Allowable Current for Cable"

### ■ Current Reduction Factor Table

Ambient Temperature (°C)	30	35	40	45	50	55	60	65	70	75
Current Reduction Factor	1.00	0.95	0.89	0.84	0.77	0.71	0.63	0.55	0.45	0.32

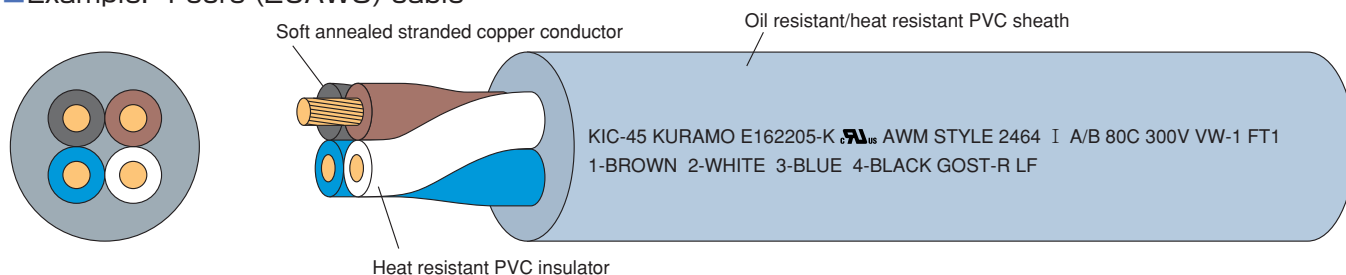
## Core Identification

Core identification system	
Identification by Color (for Standard)	4cores — Identified by brown, white, blue and black 5cores — Identified by black, brown, white, blue and gray

## Cable Construction

Item	Configuration
Conductor	Soft annealed stranded copper
Insulator	Heat resistant PVC
Conductor stranding	Circular
Sheath	Oil resistant/heat resistant PVC (light gray)

### Example: 4 core (20AWG) cable



## Cable Outside Diameter/Weight

Conductor Size AWG Conductor count/wire diameter	Number of Cores	
	4	5
20 (108/0.08)	6.1 60	※ 6.7 70

Upper: Standard cable outside diameter (Approx.mm)

Lower: Approximate weight (kg/km)

※ indicates specifications for custom order production.